

62279 Stainless Steel Rotary Draw Latch

Features

- Available with padlock feature, different arm lengths
- Strikers (1-62222-SS or 2-62222-SS) sold separately

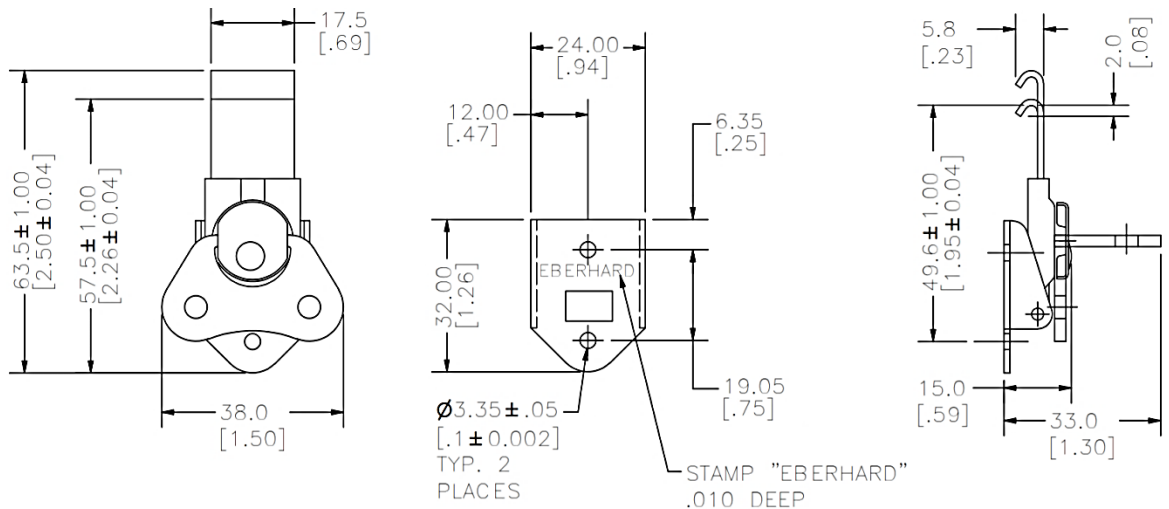
Material

- Stainless steel

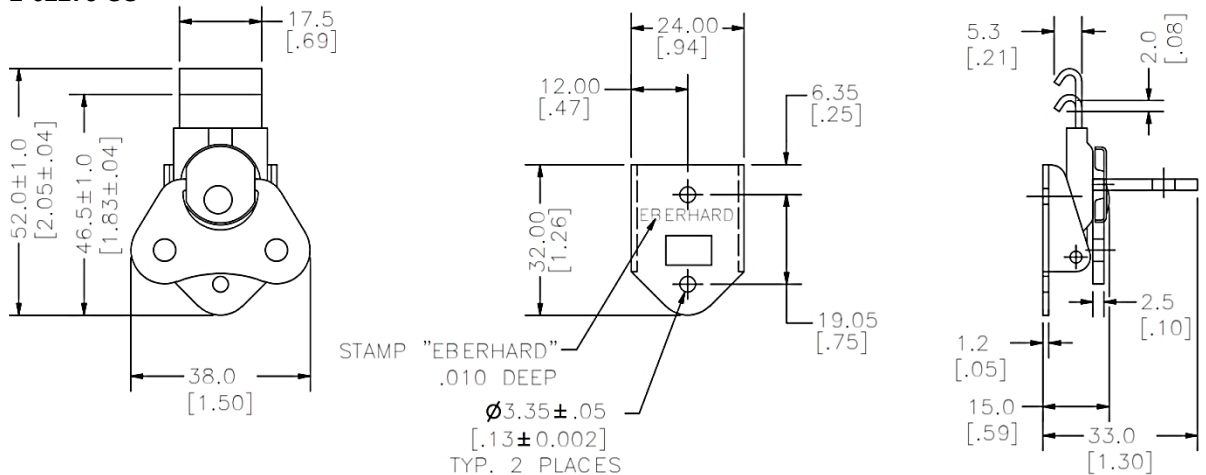


Part No.	Description
1-62279-SS	Overall length of 2.50", two mounting holes
2-62279-SS	Overall length of 2.05", two mounting holes
3-62279-SS	Overall length of 1.63", two mounting holes
4P-62279-SS	Overall length of 3.14", padlock loop, and two mounting holes

1-62279-SS



2-62279-SS

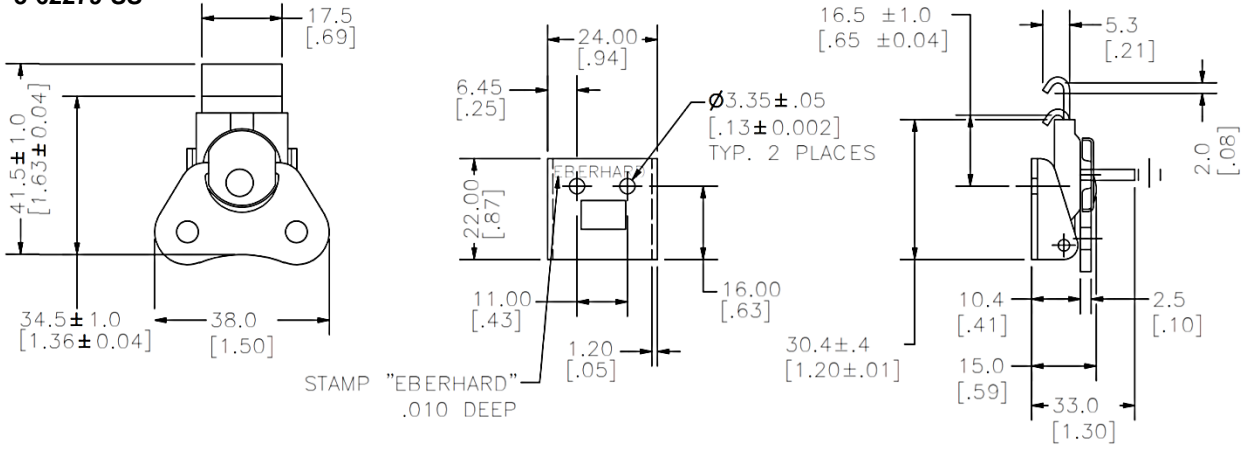


Dimensions in metric [inches]

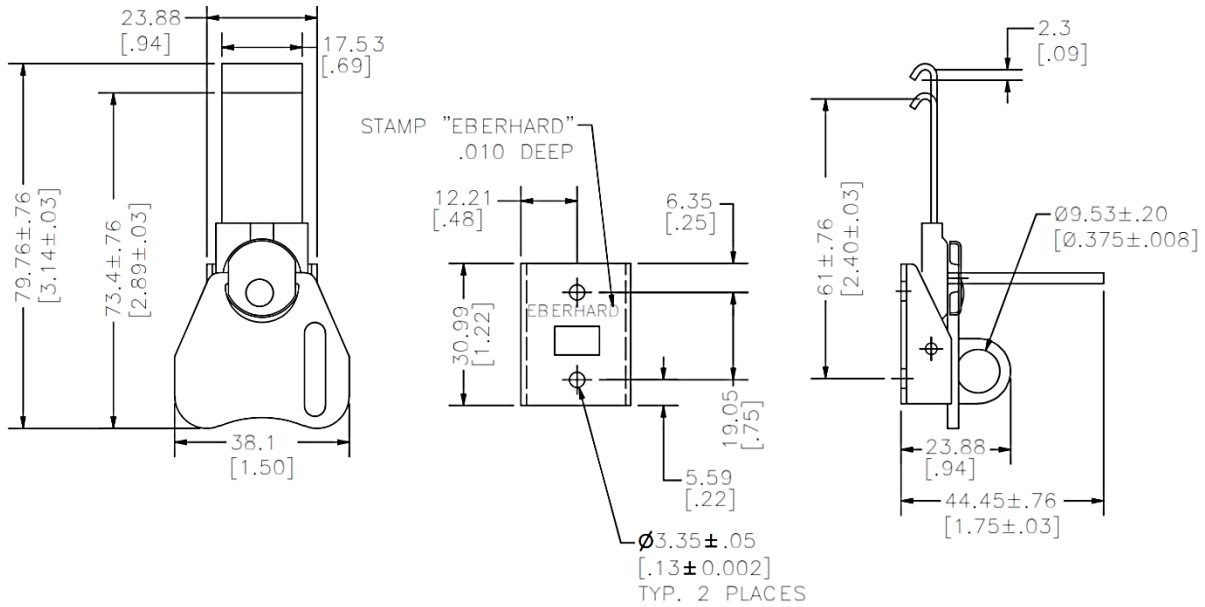


We are Eberhard's exclusive distributor

3-62279-SS

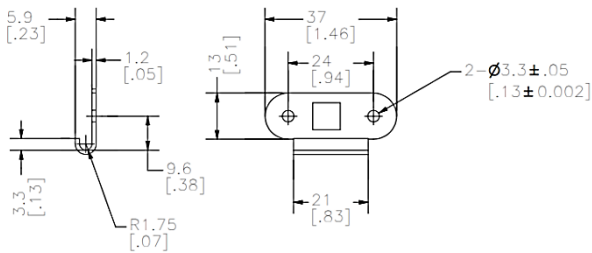


4P-62279-SS

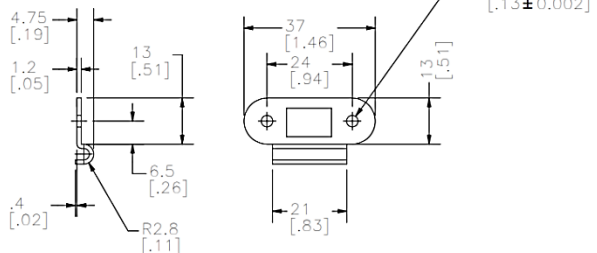


Strikers

1-62222-SS



2-62222-SS



Dimensions in metric [inches]



We are Eberhard's exclusive distributor